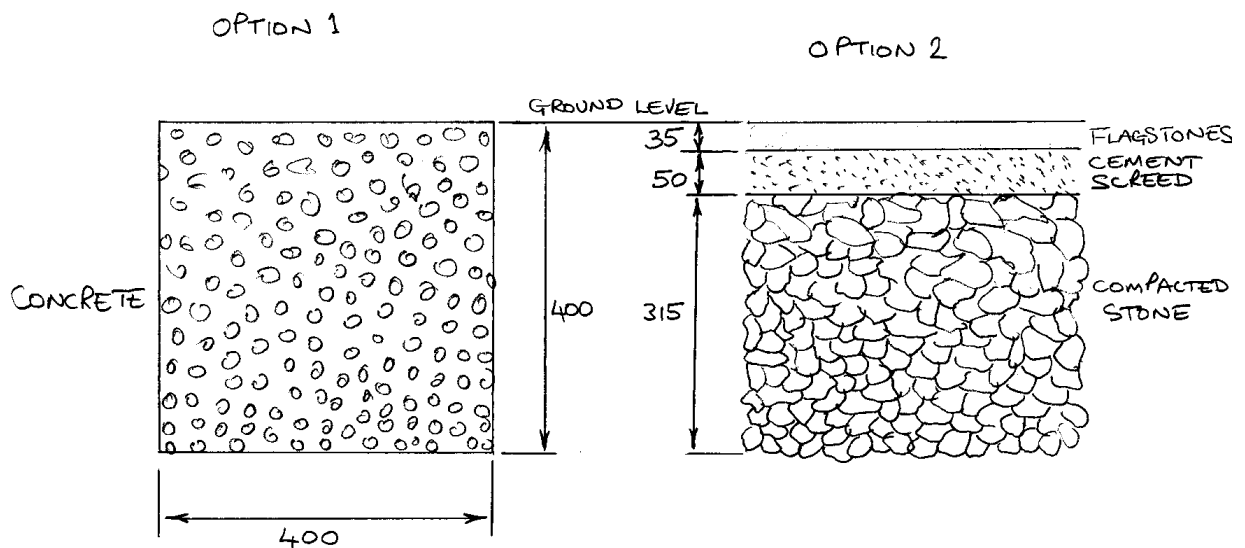


Traditional Veranda Installation Instructions with Gutter

Before proceeding with the assembly, please ensure that the following conditions have been met;

- A suitable footing is provided for the legs to fix into (Fig 1)
- The wall is of sound construction – no flaking mortar or loose bricks etc.
- You have the correct fixings for the type of wall you are fixing into (masonry fixings supplied)
- Check that there is sufficient space for the installation and that there are no down pipes or cables etc. to interfere with the wall plate
- Due to the weight of the product and nature of installation, two able bodied persons with the appropriate step ladders / scaffolding are required to install the veranda.

Fig. 1



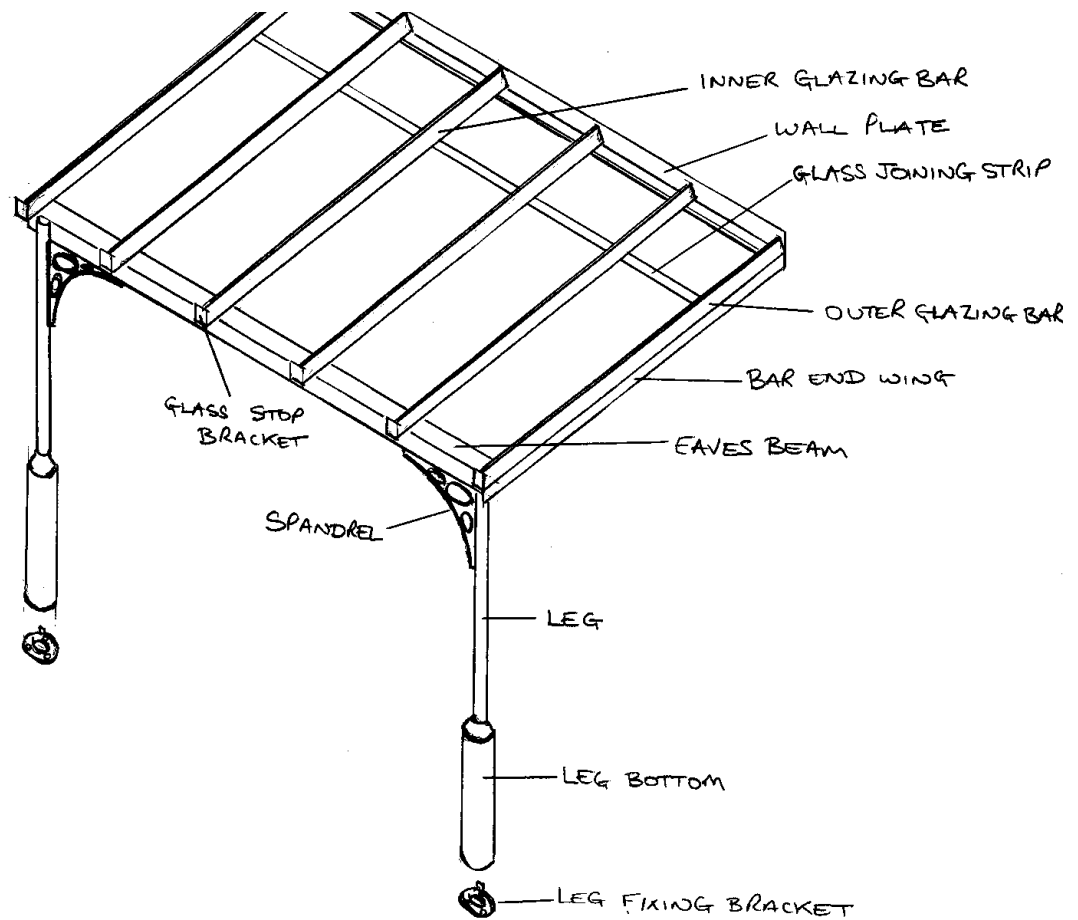
Tools required

Power drill / driver, 6mm dia. masonry drill, 8mm dia. HSS drill bit, cross head screwdriver bit and holder, hacksaw, 13mm spanner, 4mm allen key, spirit level, mastic gun,

Step 1. Unwrap

Unwrap and familiarise yourself with all the components (Fig. 2)

Fig. 2



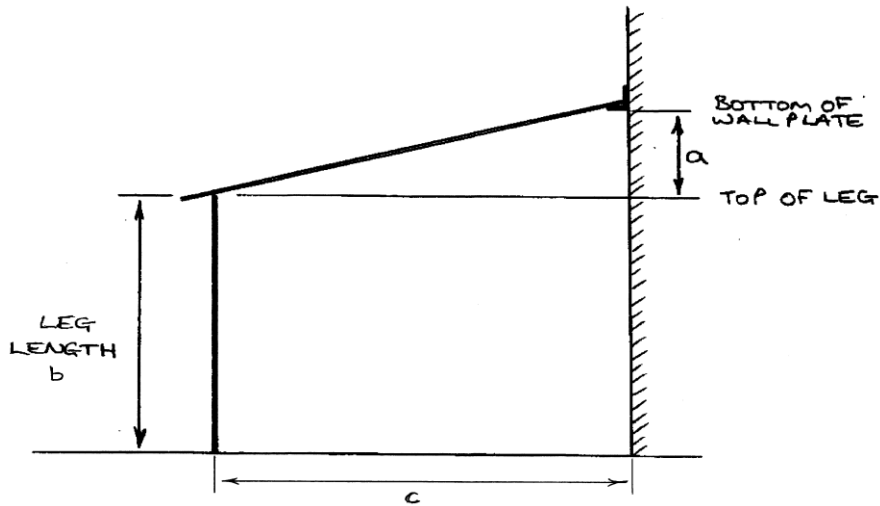
Note; a 4.2 meter wide veranda will have the legs set inboard of the ends of the roof and will have two spandrels per leg.
Wider sizes will have one or more additional legs.

Step 2. Calculate height

With the help of the table below and Fig, 3, calculate the required height of the *legs* and *wall plate*. The recommended roof angle is 15degrees but it can be set between 10 and 20 degrees if required.

(The top of the legs would normally be the same height as the top of the ground floor doors and windows)

Fig. 3



1.5 meter projection

Roof angle	15 degrees	10 degrees
Length a	373mm	250mm
Length c	1410mm	1438mm

2 meter projection

Roof angle	15 degrees	10 degrees
Length a	502mm	337mm
Length c	1894mm	1930mm

2.5 meter projection

Roof angle	15 degrees	10 degrees
Length a	632mm	424mm
Length c	2377mm	2423mm

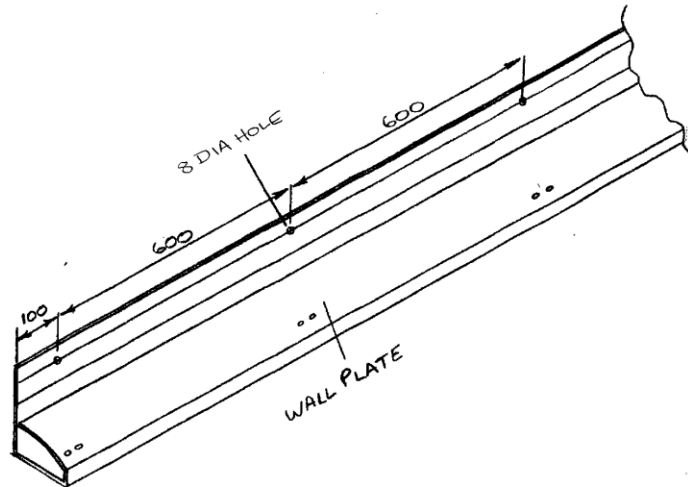
3 meter projection

Roof angle	15 degrees	10 degrees
Length a	761mm	510mm
Length c	2860mm	2915mm

Step 3. Wall plate

Select the *wall plate* Drill 8mm diameter holes through the rear flange of the wall plate, approximately 100mm from each end and at 600mm centres (Fig. 4) (avoid drilling holes in line with the pre-drilled glazing bar fixing holes)

Fig. 4



Hold the *wall plate* against the wall at the required height and level.

Mark through the position of the fixing holes.

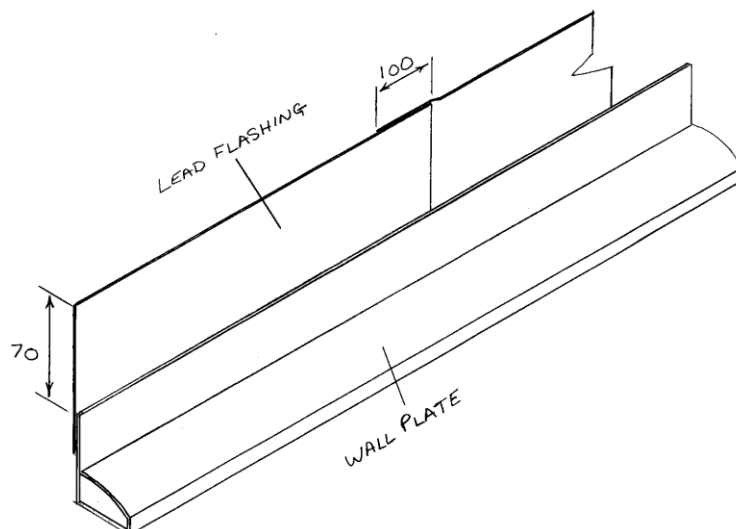
Drill the holes in the wall 6mm diameter x 100mm deep.

Hold the *wall plate* in position against the wall with the *lead flashing* tucked down behind it. Leave 70mm of lead protruding above the wall plate and overlap each section by 100mm (Fig. 5)

Screw the *wall plate* and *lead flashing* securely to the wall.

(If the wall is not straight, use packers between the wall and flashing)

Fig. 5



Step 4. Glazing bar seals.

Select the *inner glazing bars*, *outer glazing bars*, *pressure beads* and coil of *rubber gasket*. (The two *outer glazing bars* do not have the *glass stop bracket* fixed to the end)

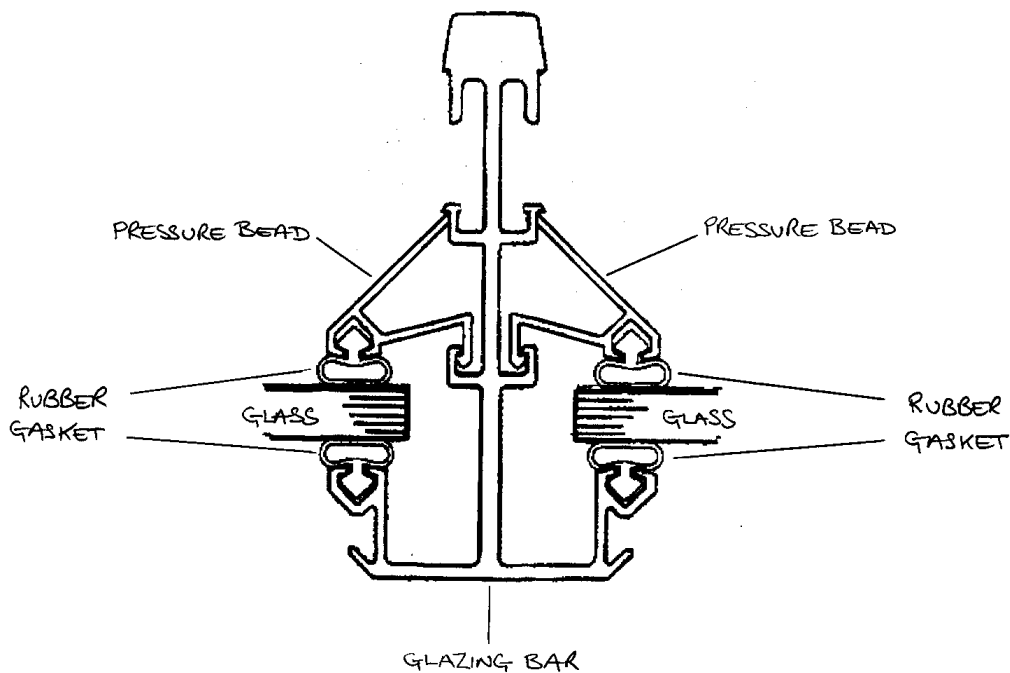
Push the *rubber gasket* into both grooves on the *inner glazing bars* (Fig. 6)

Push the *rubber gasket* into the left hand groove on one of the *outer glazing bars* and the right hand groove on the other *outer glazing bar*.

Push the *rubber gasket* into the groove on all the *pressure beads*.

Trim gasket to be flush with the end of the *bars* and *beads*.

Fig. 6



Step 5. Cut Legs to length

Select both *legs*

Using a hacksaw, cut the legs to the correct length as shown in Fig. 3

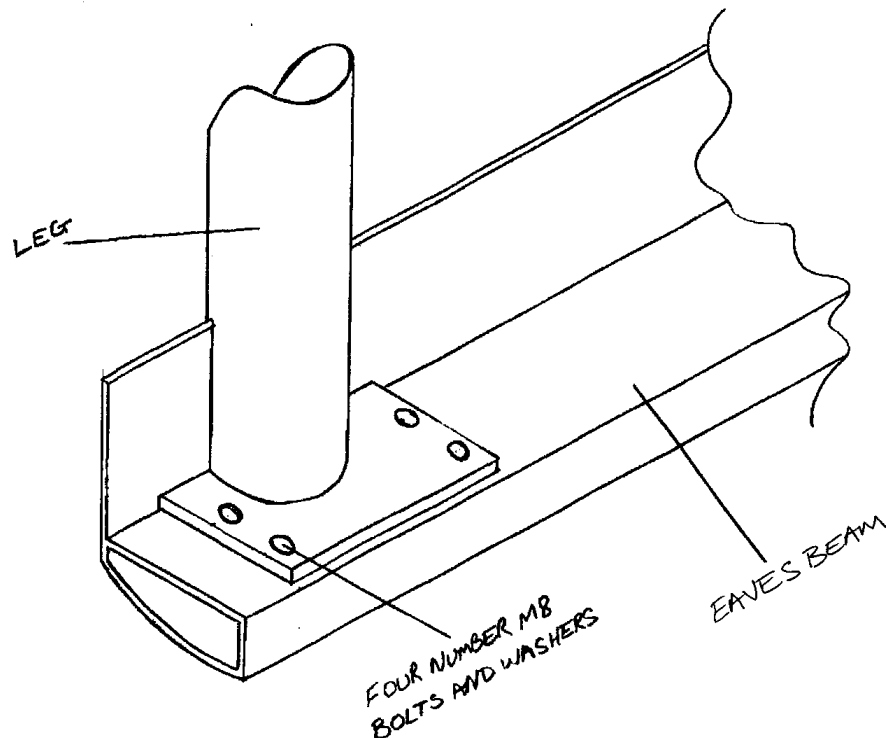
(The top of the *legs* would normally be the same height as the top of the ground floor doors and windows)

Step 6. Assemble the legs and eaves beam.

Select the *Legs*, *Eaves Beam*, M8 x 25mm long hexagon head bolts and washers.

(On a veranda with one *spandrel* per *leg*, the 6mm diameter threaded spandrel fixing holes should be on the inner face of the legs so they are facing each other)
Slide the slot in the end of each *leg* over the flange of the *Eaves Beam* (Fig. 7)

Fig. 7



Line the four pre- drilled holes in the fixing plates on the end of each *leg* with the four M8 threaded holes at each end of the *eaves beam*.

Loosely bolt in position using the M8 x 25mm long bolts and washers.

Stick masking tape or similar to the outer surface of the *legs* to protect the powder coated finish.

Select the *leg bottoms* and slide over the legs.

Step 7. Erecting legs and eaves beam

Carefully lift the *leg*, *leg bottoms* and *eaves beam* assembly into place and hold in a vertical position by person 1.

Select an *outer glazing bar* (the groove without the rubber gasket needs to be on the outer end of the roof)

Screw the *glazing bar* in position on the *Wall Plate* and *Eaves Beam* using the no.10 x 16mm long pan head self tapping screws into the pre drilled holes. (DO NOT OVER TIGHTEN)

Select the other *outer glazing* bar and screw into position on the other end of the *Wall Plate* and *Eaves Beam*.

The structure should now be self supporting.

Fit the *inner glazing bars*.

Slide the *leg bottoms* up the *legs*. Tie up out of the way, by passing a length of string through the drilled hole in the lower end of the bottom section and securing it higher up.

Step 8. Fit Spandrels

Select the *spandrels*.

Bolt the *spandrels* into position using two M6 x 20mm long and one M6 x 35mm long allen headed screws and washers per *spandrel*. (You may need to loosen the leg fixing bolts to allow a little movement to get the screws started)

Tighten all bolts and screws.

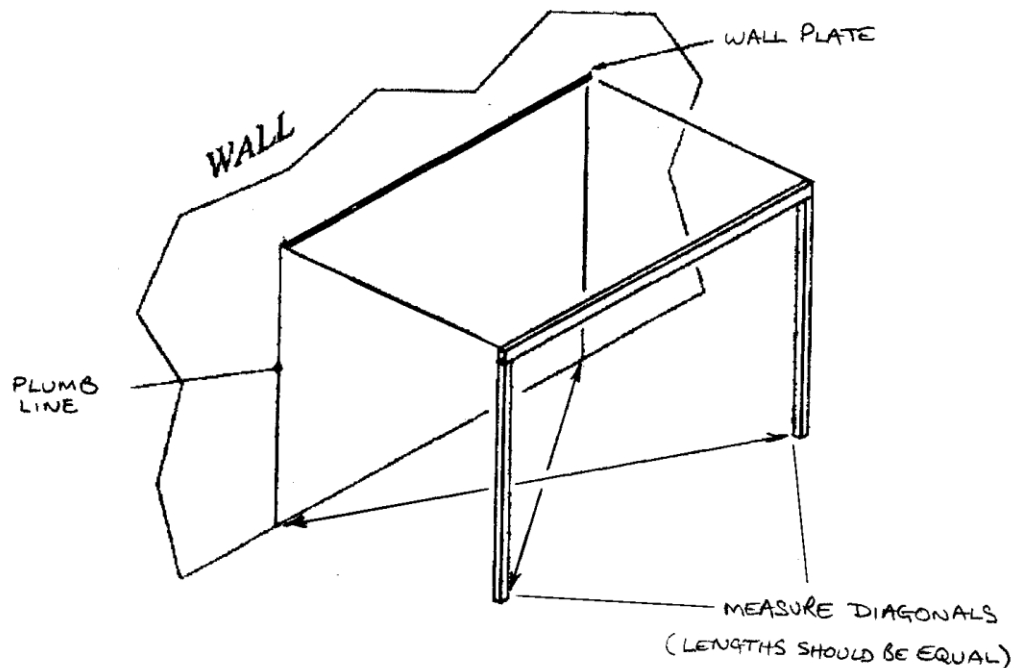
Step 9. Fixing the legs

Lift one *leg* at a time and slide the *leg fixing bracket* into position, so that the leg tube passes through the 38mm diameter hole in the centre of the bracket.

Using a spirit level, make sure that the *legs* are upright and adjust if necessary.

By measuring the diagonals (fig. 8) check that the veranda is square to the wall. Adjust if necessary and re-check that the *legs* are upright.

Fig. 8

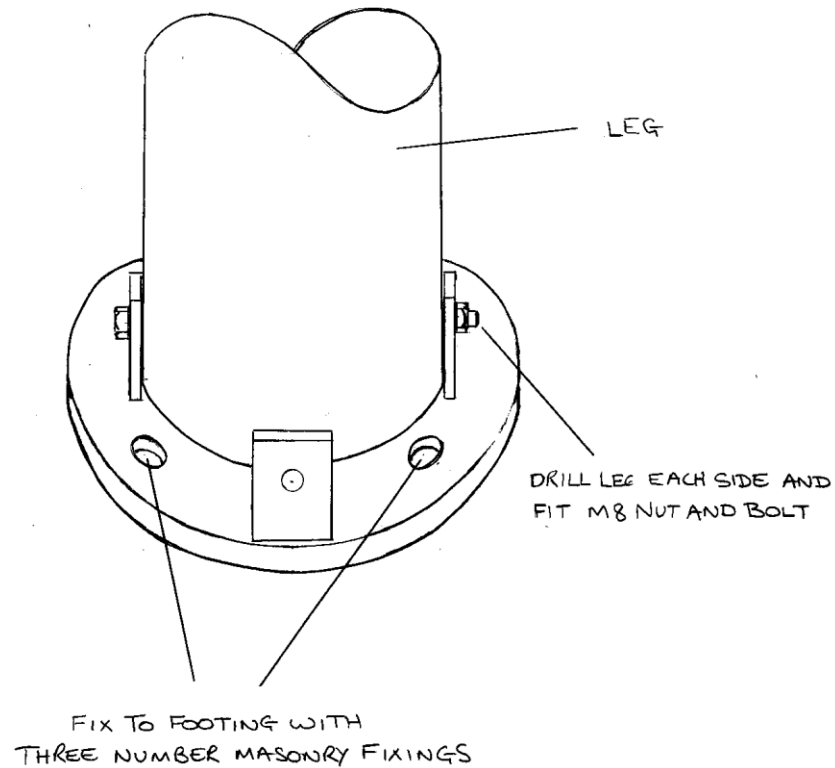


Spin the *leg fixing brackets* so that the 6mm diameter threaded hole on the outer circumference is facing back towards the wall.

Using a 6mm diameter masonry drill bit, drill through the three pre-drilled holes in the *leg fixing brackets* into the foundation and screw down using 8mm diameter x 75mm long masonry screws. (If suitable)

Using an 8mm diameter HSS drill bit; drill a hole through the bottom of the *leg* using the pre-drilled holes on each side of the *leg fixing bracket* as a guide. (Fig 9)

Fig. 9



Pass the supplied M8 x 100mm long bolt through the *Leg fixing bracket* and *leg* and secure with an M8 nut.

Carefully slide the *leg bottom* down the *leg* and over the *leg fixing bracket*.

Secure with an M6 x 20mm long allen headed screw and washer through the 6.5mm pre-drilled hole at the bottom of the *leg bottom* and into the threaded hole in the *leg fixing bracket*.

Remove the masking tape.

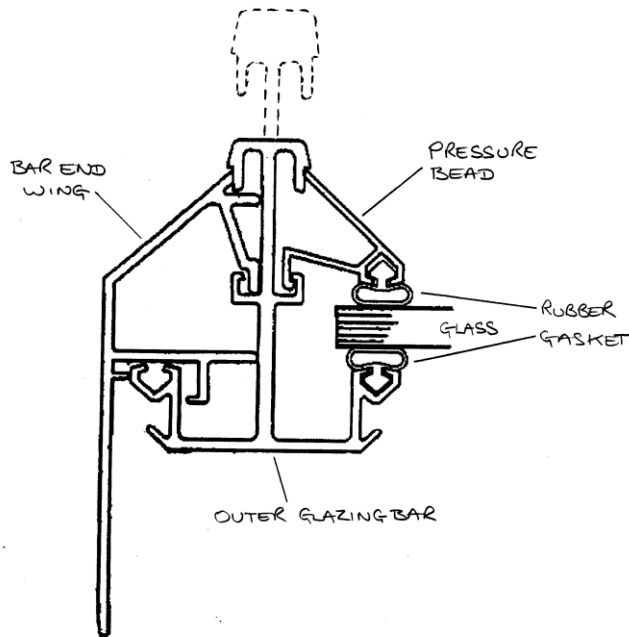
Seal the joint between the *leg bottom* and upper *leg* with clear silicone sealant.

Step 10. Bar End Wings

Select the *Bar End Wings*.

Slide the *Bar End Wings* into position in the *End Glazing Bars* (fig. 10)

Fig. 10



Select the two loose *Glass Stop Brackets*. If the two countersunk holes are offset in the bracket, fit the longer side to the inboard side of the glazing bar. This will avoid the bracket fouling the gutter stop end.

Screw the *Glass Stop Brackets* onto the end of the *Outer Glazing Bars* using no.10 x 12mm long countersunk head self tapping screws into the pre drilled holes.

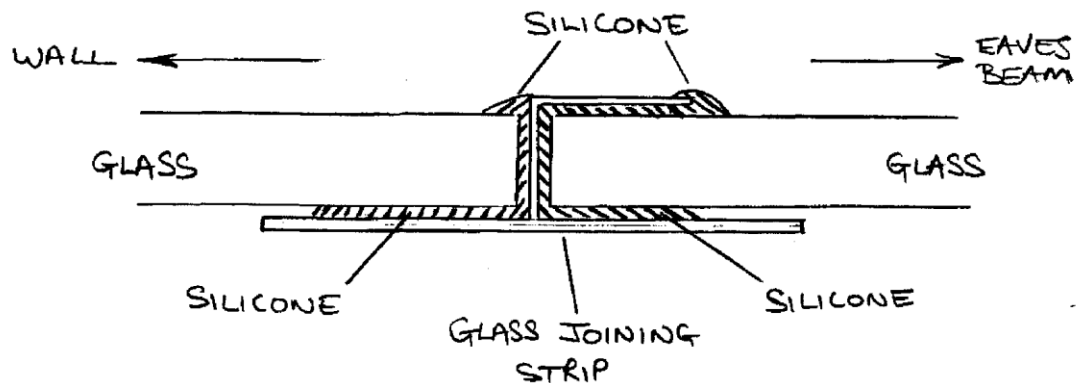
Step 11 Fitting Glass

This is a two man job using appropriate steps / scaffolding.
Start at one end and work your way across the roof.

Select a 564mm wide glass panel (on a 3 meter projection veranda, select a 2000mm x 564mm panel)

Lift it into position and rest it on the glazing bar rubber gaskets in the first opening, The end of the glass should touch the *glass stops* on the front of the *glazing bar*.
On a 3.0m projection veranda, select one of the 564mm long *Glass joining strips* and apply silicone sealant into the recess (Fig. 11)

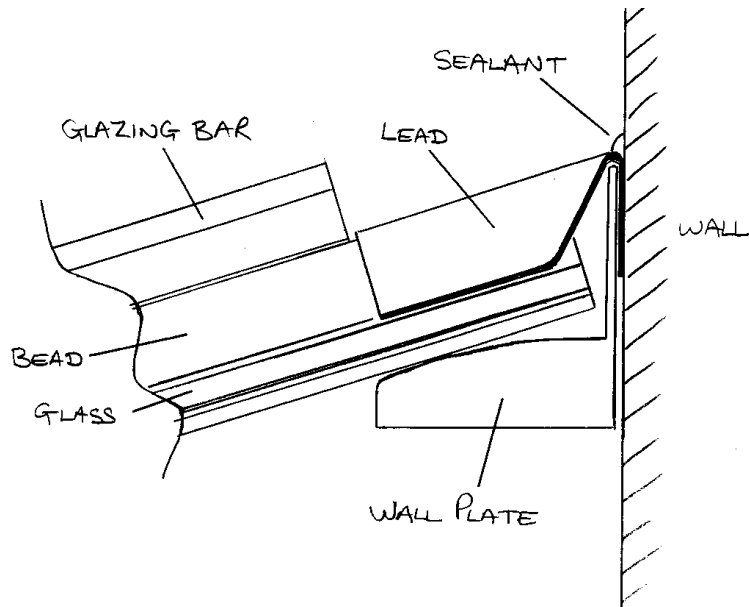
Fig. 11



Slide the *glass sealing strip* into position on the upper edge of the glass.
Apply silicone sealant along the upper edge of the *glass sealing strip*.
Select a 990mm x 565mm pane of glass and lift it into position to fill the top section of the opening.
Select two *Pressure beads* and clip them into position by exerting pressure to the top face of the bead until it clicks into place. (Fig. 6)
It is best to start at each end and work towards the middle, or the *glass joining strip* (if fitted).

Dress the Lead flashing over the *outer glazing bar* and onto the top of the glass, working towards you (Fig.12)
Seal the lead against the wall with "Lead Mate" or similar sealant, as you work your way along.

Fig.12



Seal along the top edges of the *glass joining strip* (Fig. 11)
For the next section, use the 584mm wide glass and if required, the *glass joining strip*.

Repeat the process until the roof is fully glazed and flashed.

Step 12 Fitting Gutter

The gutter components are pre-drilled to align with the holes in the eaves beam. Bolt the gutter to the eaves beam using the M6 allen headed screws, which are already inserted in the rivet nuts on the eaves beam, or fixed to a piece of card.

Fit the end stops and joiners and seal in place using silicone sealant.

If draining via a chain, attach by inserting the 5mm diameter x 50mm long stainless steel bar through a chain link within the gutter.

If draining via a downpipe; attach the downpipe (not supplied) to the 63mm dia running outlet.

Nexterior

Traditional Veranda Installation Instructions with Gutter

Nexterior Limited
Pinewood House
Bush Heath Lane
Harbury
Leamington Spa
Warwickshire
CV33 9NF

Tel / Fax: 01926 612979
Email: info@nexterior.co.uk
www.nexterior.co.uk